

TRI-COUNTY RURAL ELECTRIC COOPERATIVE, INC.

16 DAMASCUS STREET
 COUDERSPORT, PENNSYLVANIA 16915
 (814) 274 - 8740

P.O. BOX 134 33 AUSTIN STREET
 WELLSBORO, PENNSYLVANIA 16901
 (570) 724 - 6712

22 NORTH MAIN STREET
 MANSFIELD, PENNSYLVANIA 16915
 (570) 662 - 2175
 1 (800) 343 - 2559

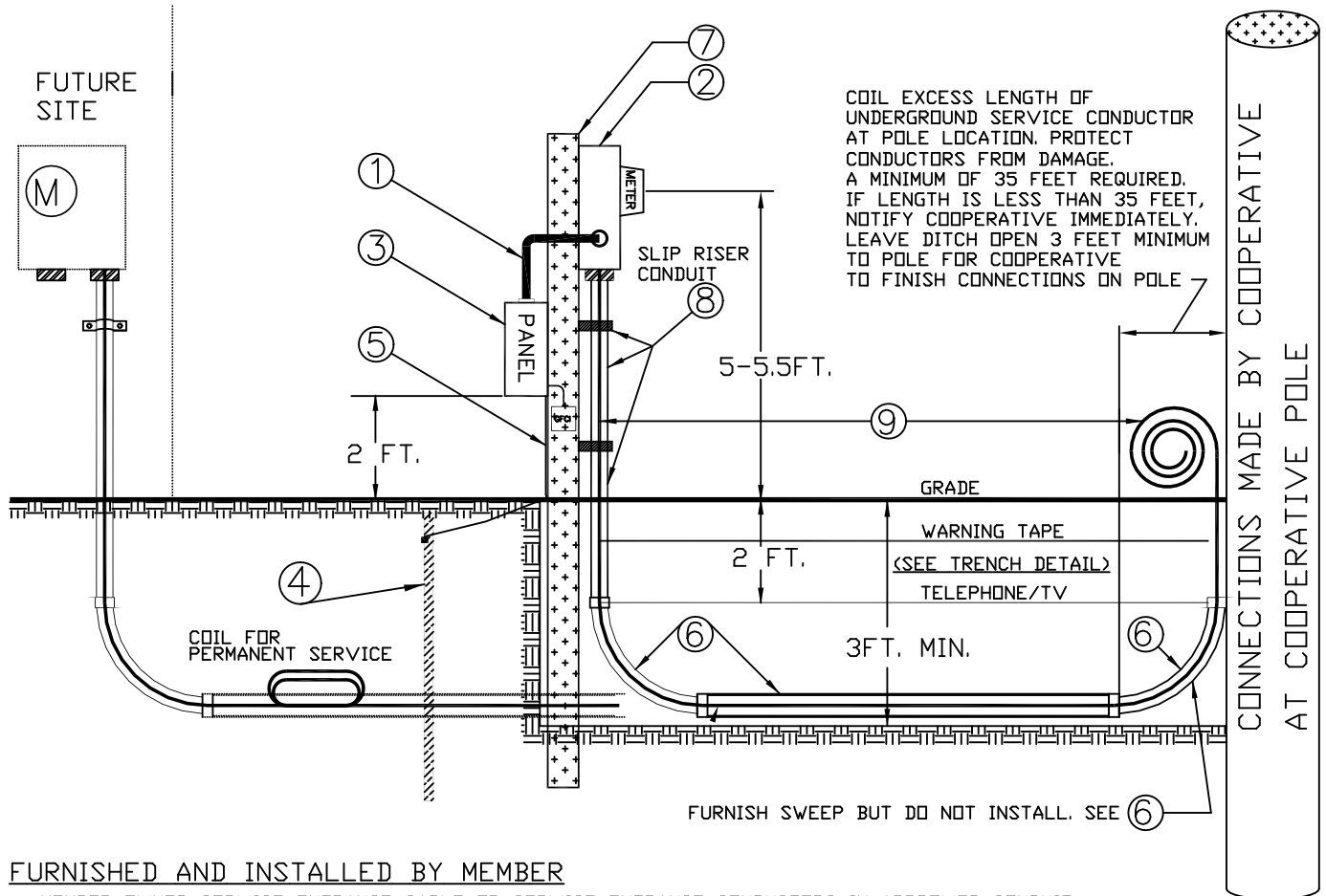
INSTALLATION REQUIREMENTS FOR UNDERGROUND TEMPORARY SERVICE

IMPORTANT:

ALL INSTALLATIONS MUST BE INSPECTED AND APPROVED BY THE MUNICIPALITY APPROVED INSPECTION AGENCY (PER UCC CODE) BEFORE THE SERVICE CAN BE ENERGIZED.

ALL INSTALLATIONS TO BE IN ACCORDANCE WITH THE NATIONAL ELECTRICAL CODE

TEMPORARY SERVICE ARE ONLY VALID FOR ONE YEAR BEFORE PERMANENT UNDERGROUND SERVICE IS INSTALLED REFER TO TC-E16 AND TC-E16B



FURNISHED AND INSTALLED BY MEMBER

- ① MEMBER OWNED SERVICE ENTRANCE CABLE OR SERVICE ENTRANCE CONDUCTORS IN APPROVED CONDUIT.
 100 AMP - # 2 ALUMINIUM OR # 4 COPPER
 200 AMP - 4/0 ALUMINIUM OR 2/0 COPPER INHIBITOR COMPOUND USED ON ALL ALUMINIUM WIRE TERMINATIONS
- ② MEMBER OWNED 4 JAW UL APPROVED RINGLESS TYPE METERBASE WITH WEATHER TIGHT HUBS AND BY-PASS HORNS
 200 AMP MINIMUM, DO NOT USE BOTTOM CENTER KNOCKOUT.
- ③ MEMBER OWNED SERVICE EQUIPMENT - MINIMUM 100 AMP-WEATHERTIGHT ENCLOSURE
 WEATHERPROOF RECEPTACLE WITH GROUND FAULT CIRCUIT INTERRUPTOR (GFCI)
- ④ ONE (1) 5/8 INCH X 8 FEET COPPERWELD OR GALVANIZED GROUND ROD.
- ⑤ GROUND WIRE # 6 BARE COPPER FOR 100 AMP INSTALLATION AND # 4 BARE COPPER FOR A 200 AMP INSTALLATION.
 WHERE AVAILABLE, SERVICE SHOULD ALSO BE GROUNDED TO WELL CASING OR UNDERGROUND METALLIC WATER PIPING SYSTEM.
 GAS OR FUEL OIL PIPING SHALL NOT BE USED AS A GROUNDING ELECTRODE. BONDING: SEE N.E.C. ARTICLE 250
- ⑥ MEMBER SUPPLIED/INSTALLED 3 INCH SCHEDULE 40 PVC ELECTRICAL CONDUIT WITH (2) SCHEDULE 40 PVC 24 INCH MINIMUM
 RADIUS SWEEPS. DO NOT INSTALL SWEEP AT COOPERATIVE POLE, LEAVE AT POLE LOCATION FOR INSTALLATION BY COOPERATIVE.
- ⑦ MINIMUM 6 INCH X 6 INCH PRESSURE TREATED POST OR POLE AT A DEPTH OF 48 INCHES (4 FT.)
- ⑧ 3 INCH STANDARD THREADED CONNECTOR ASSEMBLY, 3 INCH ELECTRICAL GRADE CONDUIT SCHEDULE 80 PVC AND
 2 HOLE STRAPS SUPPLIED AND INSTALLED BY MEMBER WITH A 3/8 TO 1/2 INCH WEEP HOLE DRILLED
 ABOVE GROUND LEVEL IS SUGGESTED; MEMBER SHALL PROVIDE AND INSTALL, GROUND MOVEMENT PER NEC 300.5(J) TO PREVENT
 DAMAGE DUE TO SETTLEMENT OR FROST HEAVES USING A SLIP RISER CONDUIT TO ALLOW CABLE MOVEMENT.

FURNISHED BY COOPERATIVE / INSTALLED BY MEMBER

- ⑨ UNDERGROUND SERVICE CONDUCTORS SUPPLIED BY COOPERATIVE / INSTALLED BY MEMBER FROM METERBASE
 TO COOPERATIVE POLE LOCATION IN MEMBER SUPPLIED AND INSTALLED 3 INCH SCHEDULE 40 PVC CONDUIT.

TC-E8TU
 01/2013